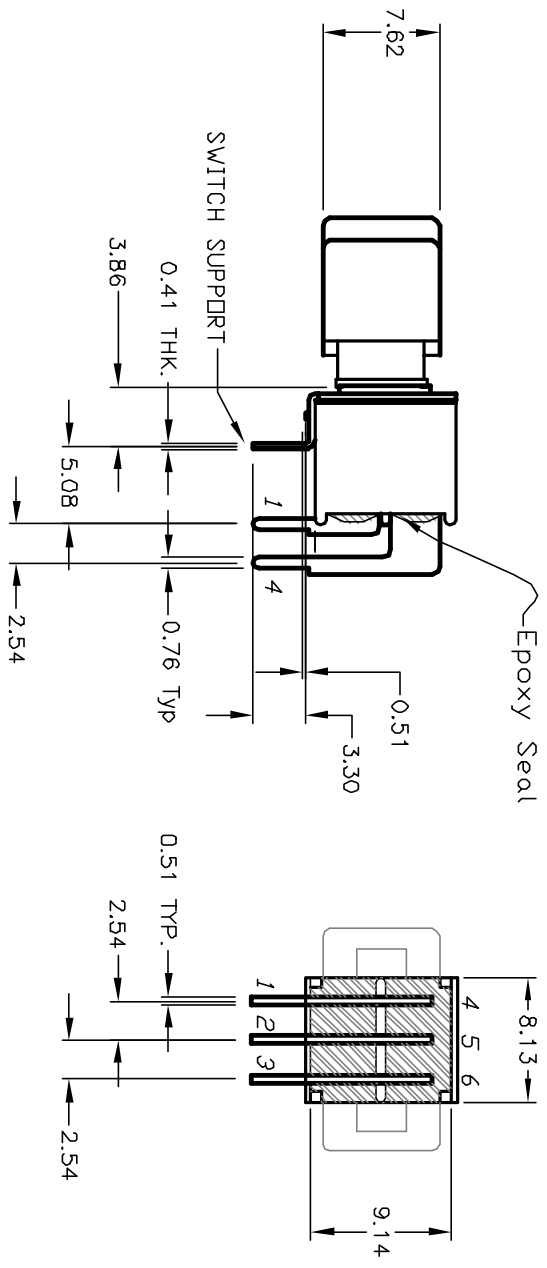
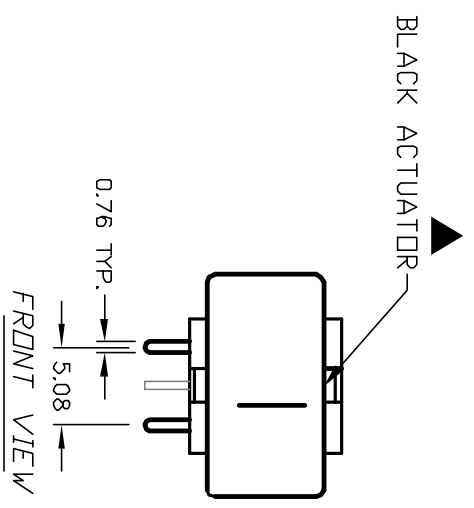
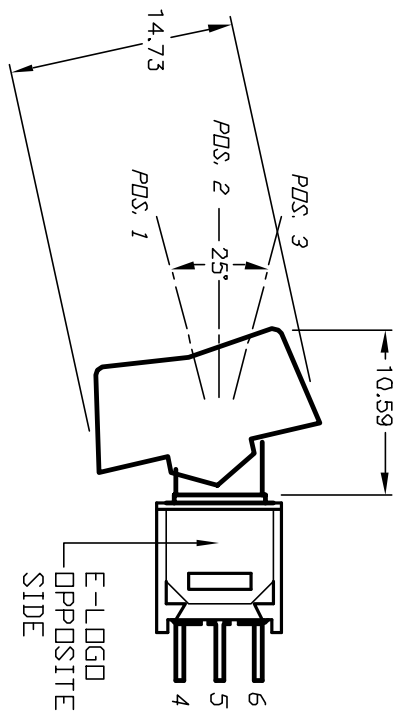


SWITCH FUNCTION		
POS. 1	POS. 2	POS. 3
DN	NONE	<DN>
2-3,5-6	OPEN	2-1,5-4

< > =Momentary

- NOTES:
1. ALL DIMENSIONS IN MM
 2. GENERAL TOLERANCE: X.X=±0.4
X.XX=±0.25
 3. TERM. NOS. FOR REF. ONLY
 4. CONTACT RATING: 3A@ 120VAC. OR 28VDC;
1A@ 250VAC.
 5. FIXED TERMINAL & MOVING CONTACT:
COPPER ALLOY w/ Silver plate
 6. ELECTRIC LIFE: 30,000 make-and-break cycles
at full load.
 7. INSULATION RESISTANCE: 1,000 M ohm min.
 8. DIELECTRIC STRENGTH: 1,000 V RMS @sea level.
 9. OPERATING TEMP.: -30°C to +85°C



REV.	ECN No.	DESCRIPTION	DATE	CHKD
A	12341	REVISED AND REDRAWN	3/28/02	CJB

TITLE	SCALE	DATE	DR	DWG	REV
400 MDP-2 R1 (BLK) M6 QE	2:1	3/28/02	CJB	T422006	A

E-SWITCH®

THE INFORMATION CONTAINED IN THIS DOCUMENT IS PROPRIETARY TO E-SWITCH AND IS NOT TO BE COPIED OR TRANSMITTED